

FEATURES

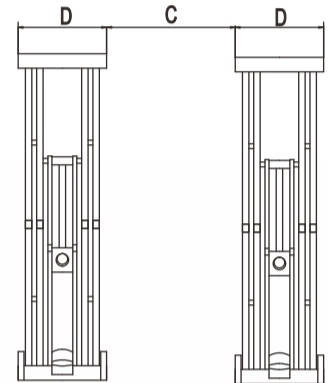
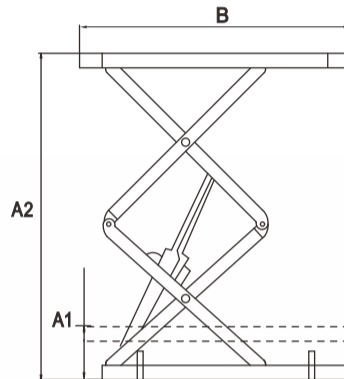
- Electric/Hydraulic power system
- Dual synchronous cylinders are applied to assure the lifting level on both platforms
- Platforms are designed to be extended. It is suited for most of the car
- Automatic safety device. The safety release is operated by air cylinders
- Electric-air control cabinet
- Hydraulic equalization, No torsion bar need



Automatic Safety Device



Extended Platforms



SPECIFICATIONS

Model	Lifting Capacity	Lifting Time	A		B	C	D	Gross Weight	Motor
			Lifting Height	Minimum Height	Overall Length	Width Between Runways	Runway Width		
SX08F	3.5T (8,000lbs)	49 Seconds	2230mm (87 3/4")	350mm (13 3/4")	1650-2050mm (65"-80 3/4")	800mm (31 1/2")	550mm (21 5/8")	917kg (2,022lbs)	3.0HP