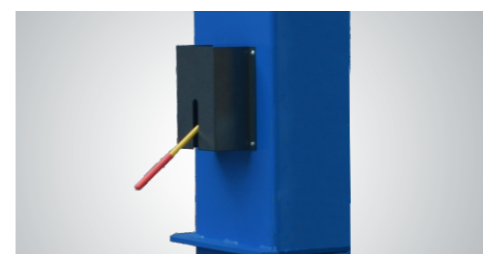
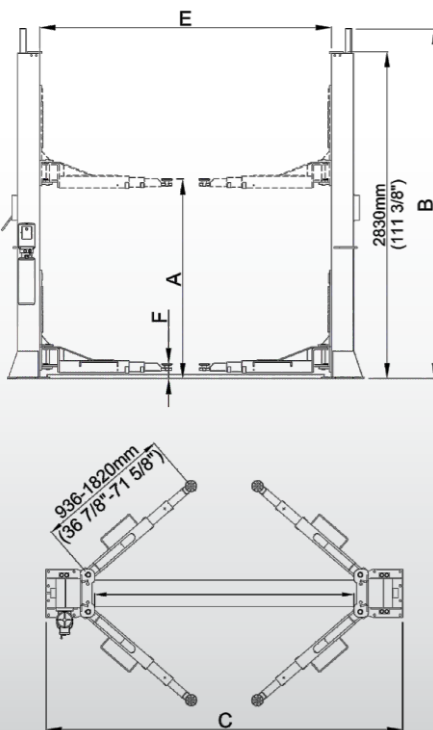


**HEAVY-DUTY LINE OF TWO POST LIFTS**

Peak heavy-duty line of two post lifts model 212 are specially designed for vehicle from car to truck, with heavy-duty steel construction.



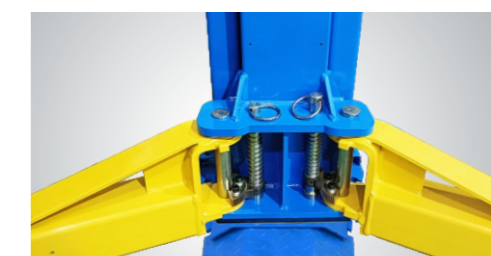
▲ **Single-point Safety Release**  
The release lever (next to the power unit ) is pulled down to release the locks on both columns from one column. It is more efficient, more reliable, and safer than the dual safety release



▲ **EXCLUSIVE FEATURE !**  
The 212 with 4 three-stages arms are allow to load more heavy-duty vehicles.



▲ The stackable rubber pads assembly with 1.5", 2.5", 5" extension adapters.



▲ Automatic arm restraints.



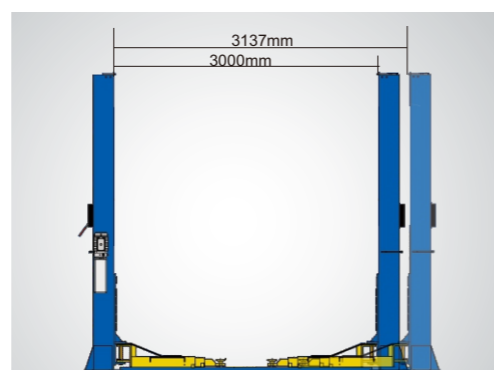
▲ The Optional Saddle adapter.  
Kits No. for light truck:20802  
Kits No. for heavy-duty truck:21103



▲ Optional 24V LED lights for clear floor 2-post lift  
Kits 20101 plus extension cable 20103.

**FEATURES**

- 5500kg (12,000 lbs) Capacity.
- Dual hydraulic direct-driven cylinders,designed and made on high standard, high quality seals.
- 4 three-stage arms are suitable for more vehicles.
- Aero cable used for synchronization.
- Self-lubricating UHMW Polyethylene sliders and bronze bush.
- Single-point safety release.
- Automatic arm restraints.
- Convenient width adjustment: Distance between columns 3137mm(123 1/2") and 3000mm(118 1/8").
- Stackable rubber pads with 1.5",2.5" and 5" adaptor for truck.
- Heavy duty design.



▲ **EXCLUSIVE FEATURE !**  
Width adjustment: Distance between columns 3137mm(123 1/2")and 3000mm(118 1/8").

**SPECIFICATIONS**

Model	Style	Lifting Capacity	Lifting Time	A	B	C	D	E	F	Gross Weight	Motor
				Lifting Height	Overall Height	Overall Width	Drive-Thru Clearance	Width Between Columns	Minimum Pad Height		
212	Floorplate Chain-drive	5.5 T (12,000 lbs.)	55 Seconds	1860-2089mm (73 1/4" - 82 1/4")	3110mm (122 1/2")	3692/3829mm (145 3/8"/150 3/4")	2653/2790mm (104 1/2"/109 7/8")	3000/3137mm (118 1/8"/123 1/2")	120mm (4 3/4")	975kg (2,150lbs)	4.0 HP