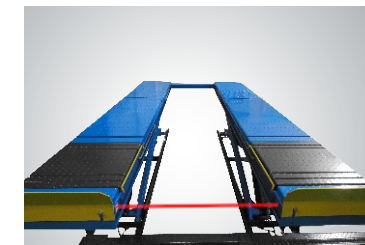


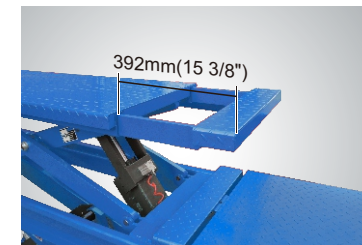
PEAK double scissors lift is idea for easily and conveniently secondary lifting all wheels off the runways for brake, tire, suspension and two or four wheel alignment work.



Electro-air mechanical safety lock is more convenient and safe.



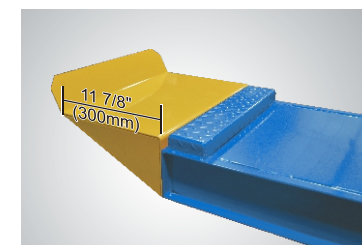
Photocell configuration for the leveling of the two platforms, more stable and safe.



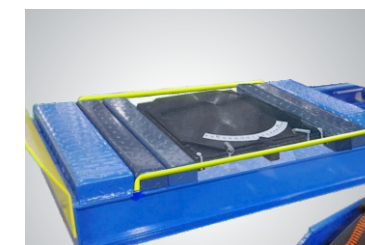
Extendable adj. platform suitable for varying wheelbases



Optional LED lighting: 24V LED light Kits No.: PX010



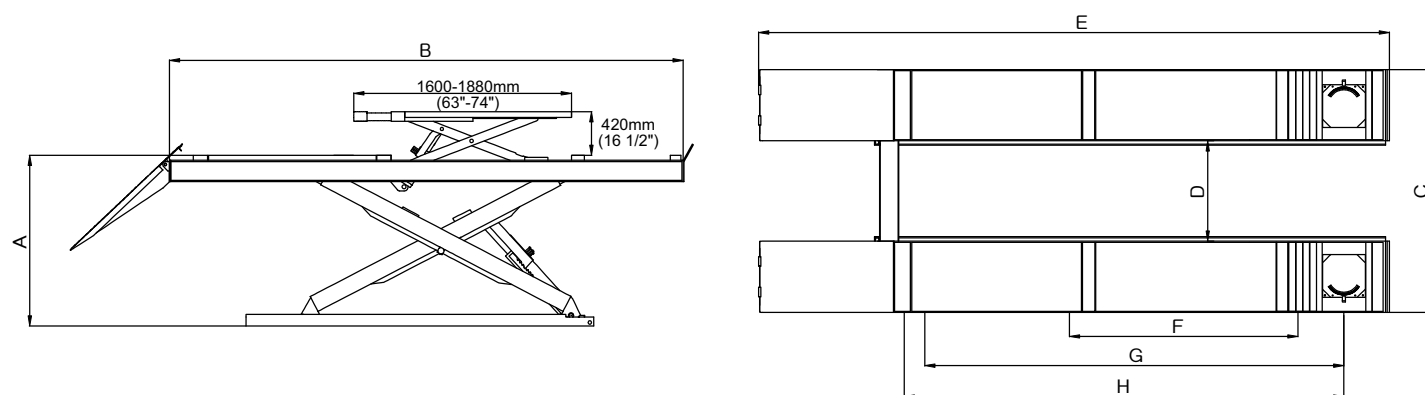
Optional extension kits to extend platform 11 7/8". Kits No.PX002



Adjustable turnplate positions, suit for all kinds of vehicles.

FEATURES

- 12,000lbs capacity for main scissor lift and 9,000lbs capacity for secondary scissor lift;
- Synchronization cylinders system equipped with hose burst valves;
- 24V control system with photocells device;
- The safety stop device at the height of 11 3/4", both control buttons are needed to lower down the lift from 11 3/4" to ground with tone alarm for safety;
- Skid proof diamond runways and adjustable tumpalte pockets;
- Self-lubricating UHMW polyethylene sliders and bronze bush.



SPECIFICATIONS

Model	Lifting Capacity	Secondly Scissors Lifting Capacity	Lifting Time	A		B	C	D	E	F	G	H	Gross Weight	Motor Power
				Max. Lifting Height	Min. Height									
DX-5500A	5.5T (12,000lbs)	4.0T (9,000lbs)	55S	1870mm (73 5/8")	320mm (12 5/8")	4991mm (196 1/2")	2190mm (86 1/4")	940mm (37")	6527mm (257")	2180mm (85 7/8")	4230mm (166 1/2")	4390mm (172 7/8")	2588kg (5,705lbs)	4.0HP